

Helium

VAN/BUS TRANSIT SEATING



Whether commuting or on a long trip, the industry's newest lightest Helium Seat is designed for riding comfort and durability. The knee saver ultra-thin seat back provides added leg room, as well as lumbar support. This seat is ideal for shuttles, tour and charter buses, as well as para-transit buses.

HSM

Transportation Solutions

www.hsmtransportation.com



MADE IN THE USA

Helium



Touring style reclining seat back or transit style rigid seat back

Flexmat and seat springs for added comfort and support

Ultra-thin back for added hip-to-knee room and built in lumbar support

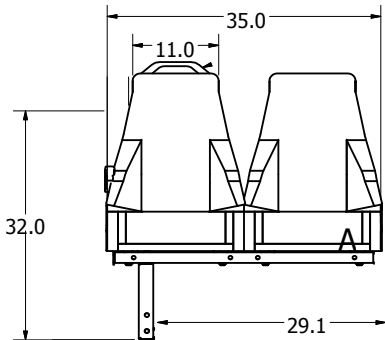
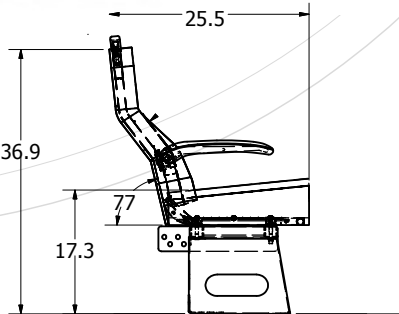
FMVSS 207/210 compliant. Available with 2 pt belts, 3 pt belts or USR (Under Seat Retractors)

The industry's lightest transit seat

16 & 17.5" wide seat cushions

OPTIONS:

- Molded armrest or upholstered armrest
- Top and corner grab rails
- Rigid or reclining seat back
- Wide variety of upholstery to choose from
- Mesh map pockets
- Seat belts (Non-retracting, Retracting and USR (Under Seat Retractors))
- Available as matching Foldaway and Flip-up seats



C.E. WHITE

HSM

Transportation Solutions

SUMMIT SEATING INC.