

Helium

VAN/BUS TRANSIT SEATING



Whether commuting or on a long trip the Helium Seat is designed for riding comfort and durability.

The knee saver ultra-thin seat back provides added leg room, as well as lumbar support.

This seat is ideal for shuttles, tour and charter buses, as well as para-transit buses.

HSM

Transportation Solutions

www.hsmtransportation.com

Helium



Touring style reclining seat back or transit style rigid seat back

Ultra-thin back for added hip-to-knee room and built in lumbar support

Flexmat and seat springs for added comfort and support

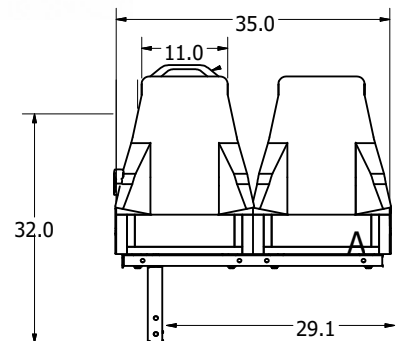
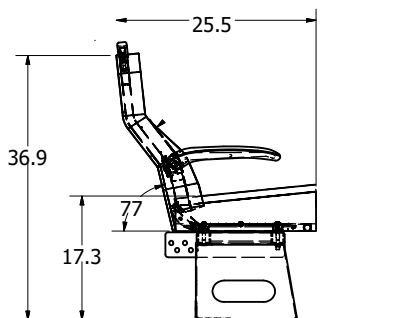
FMVSS 207/210 compliant. Available with 2 pt belts, 3 pt belts or USR (Under Seat Retractors)

Single passenger - 16" or 17.5"
Double passenger - 32" or 35"



OPTIONS:

- Molded or Upholstered Armrest
- ADA Compliant Grab Handles
- Rigid or Reclining Seat Back
- Wide Variety of Upholstery to choose from
- Mesh Map Pockets
- Seat belts (Non-retracting, Retracting and USR (Under Seat Retractors))
- Available with Matching Foldaway and Flip-up seats
- Leg height options: 9", 10.75", 12.25"



HSM

Transportation Solutions