

Cobalt

VAN/BUS TRANSIT SEATING



The Cobalt family of seats offers a variety of options including an integrated child seat to safely and comfortably transport children 20 to 80 lbs. Seats from HSM Transportation Solutions offer contemporary styling and ease of maintenance. Our in-house test facility assures our customers reliable, safe and durable seating products.

HSM

Transportation Solutions

www.hsmtransportation.com

Cobalt



MADE IN THE USA

Available in 17.5" and 35" widths.

FVMSS 207/210 compliant. Seat belt ready frame.

High strength carbon steel frame for durability. Resilient FR cellular polyurethane foam for riding comfort.

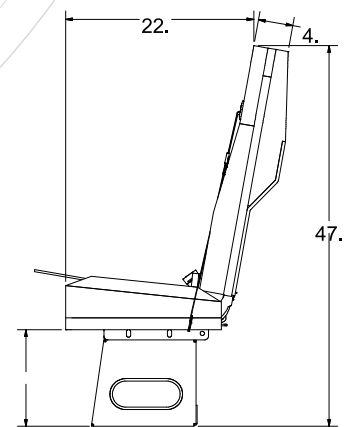
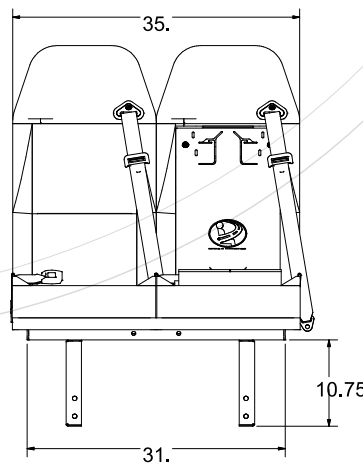


Available in Mid-Back or High Back.

Optional - ICS insert, with 5-pt safety harness, rated for children 20-80 lbs.

Options:

- Available with 3 pt. belts
- Carpet back upholstery
- Map pocket
- Center grab handle
- Molded or upholstered arm rests
- Moisture barrier
- Available with matching ADA and Flip-up seats



High Back Shown



C.E. WHITE

HSM

Transportation Solutions

SUMMIT SEATING INC.