

# Helium

**VAN/BUS TRANSIT SEATING**



Whether commuting or on a long trip, the new lightweight Helium Seat is designed for riding comfort and durability. The knee saver ultra-thin seat back provides added leg room, as well as lumbar support. This seat is ideal for shuttles, tour and charter buses, as well as para-transit buses.

# HSM

**Transportation Solutions**

[www.hsmtransportation.com](http://www.hsmtransportation.com)

# Helium



MADE IN THE USA



Touring style reclining seat back or transit style rigid seat back

Flexmat and seat springs for added comfort and support

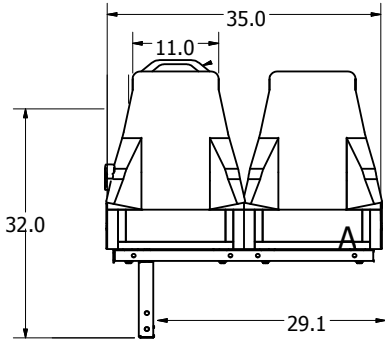
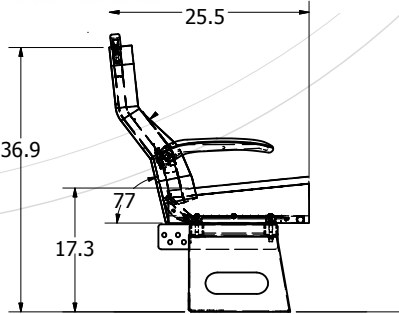
Ultra-thin back for added hip-to-knee room and built in lumbar support

FMVSS 207/210 compliant. Available with 2 pt belts, 3 pt belts or USR (Under Seat Retractors)

16 & 17.5" wide seat cushions

**OPTIONS:**

- Molded armrest or upholstered armrest
- Top and corner grab rails
- Rigid or reclining seat back
- Wide variety of upholstery to choose from
- Mesh map pockets
- FTA foam
- Seat belts (Non-retracting, Retracting and USR (Under Seat Retractors))
- Available as matching Foldaway and Flip-up seats



# HSM

Transportation Solutions



C.E. WHITE

SUMMIT SEATING INC.