

# HSM

## Transportation

# Circuit Rider F

## (Ford) Reclining Drivers Seat



Upgrade comfort with the optional armrest

Heavy duty recliner mechanism and Vari-Adjust lumbar support available

Comfortable ride and durability provided by a 8-Spring seat Flex-Mat

A driver seat replacement for bus and truck applications

Designed to fit Ford cutaways

HSM Transportation driver seats are designed for driver comfort and tested to meet all applicable safety standards. Our focus is on providing support and style for the head and neck with thicker foam and bolstering.

The Circuit Rider seat fits 2018 and later Ford Motor Company cutaway chassis. It mounts directly to the OEM base for seat delete chassis and can be used to upgrade or replace the OEM seat. Optional bases and seat-to-base adaptors are available. This seat offers a variety of options and features to improve driver comfort.

**VAN BUS TRANSIT SEATING**

# HSM

## Transportation

# HSM Circuit Rider F

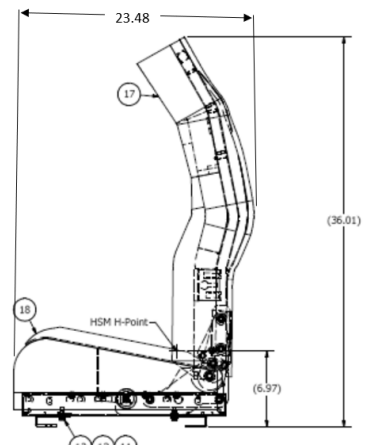
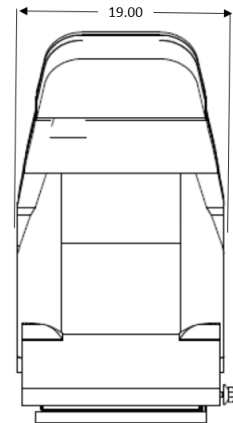


Integral head restraint to accommodate a full range of driver heights

Back tilts 23 degrees from vertical with positive latching in any position

Fore and aft positions range to 7.12" front to back

Thick, bolstered cushions from long-lasting molded polyurethane foam with high I.L.D.



## Features:

- Meets FMVSS 207/210 standards
- Taller and wider headrest with decreased backset
- 'Cushier' headrest for dynamic impact headrest absorption
- Automotive grade 8-spring seat flex-mat for even load support and designed to lessen driver fatigue
- J-clip upholstery fastening for quick change out with no special tools
- High quality virgin prime foam, fabricated for comfort on the seat and back cushions
- Heavy duty recliner mechanism
- Mounting brackets to fit Ford E-series seat delete bases
- Vinyl seat covers withstands tough driver environments

## Options:

- Fabric or vinyl seat cover combinations
- Fireblock compliance when fire-block upholstery is required
- Molded or upholstered armrest(s)
- Retractable seat belt
- Low density "Neoprene" foam cushion with high I.L.D.
- Can be adapted to Ford OEM bases

