

Lightweight LBR



Make way for **VICTA**, a fresh approach to commercial seating designed to address the changing demands of the market in both seat design and service. VICTA transforms how we think about commercial vehicle interiors. More than just a seat, VICTA delivers versatility, innovation, and unparalleled styling to set your vehicle apart.

Designed for no and lap belt applications, our lightweight seat is a solid choice where weight reduction is needed to increase vehicle capacity and range. Also, it's a great perimeter seating option. Popular for local shuttle and transport vehicles.

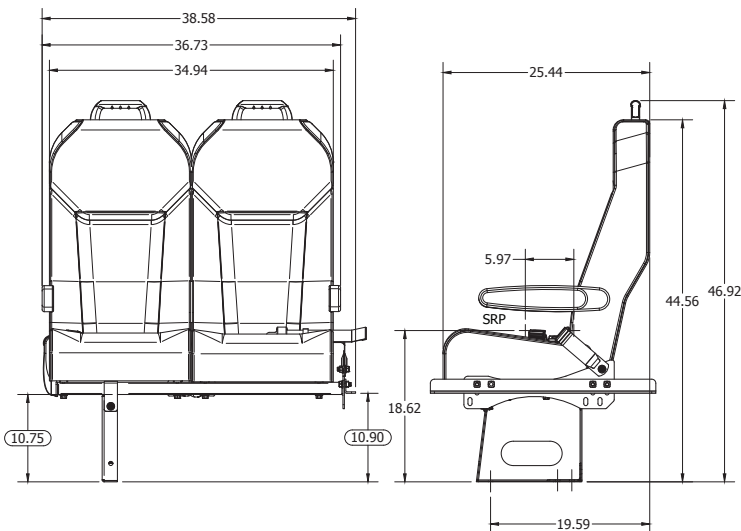


VICTA - *Beyond Seating. Elevating Travel.*

HSM
Transportation



Standard Double Seat Weight - No Options
Mid-Back 57#
Lo-Back 49#



FEATURES LAP BELT READY SEATS

- Available in Lo and Mid-Back Rigid
- Singles or Doubles
- Covers – base & accent color included – Level 2
- Matching material on seat backs
- Standard 12.25" leg

OPTIONS

- No belts, static lap belts, or retractable lap belts
- Mounting: Floor Only, Track Mount, Floor-Wall and Wheel Well
- Wheel well leg and alternate height legs
- Multiple cover materials and colors available
- Carpet on back of seat

MID-BACK ONLY

- ADA Complaint Grab handle
- Molded or Upholstered armrests



MANUFACTURED
 IN THE USA
 VictaLtWt_R4

Contact our Seating Design Experts to configure your next bus or van build.
 Learn More at: www.hsmtransportation.com or CALL 800-437-4220

