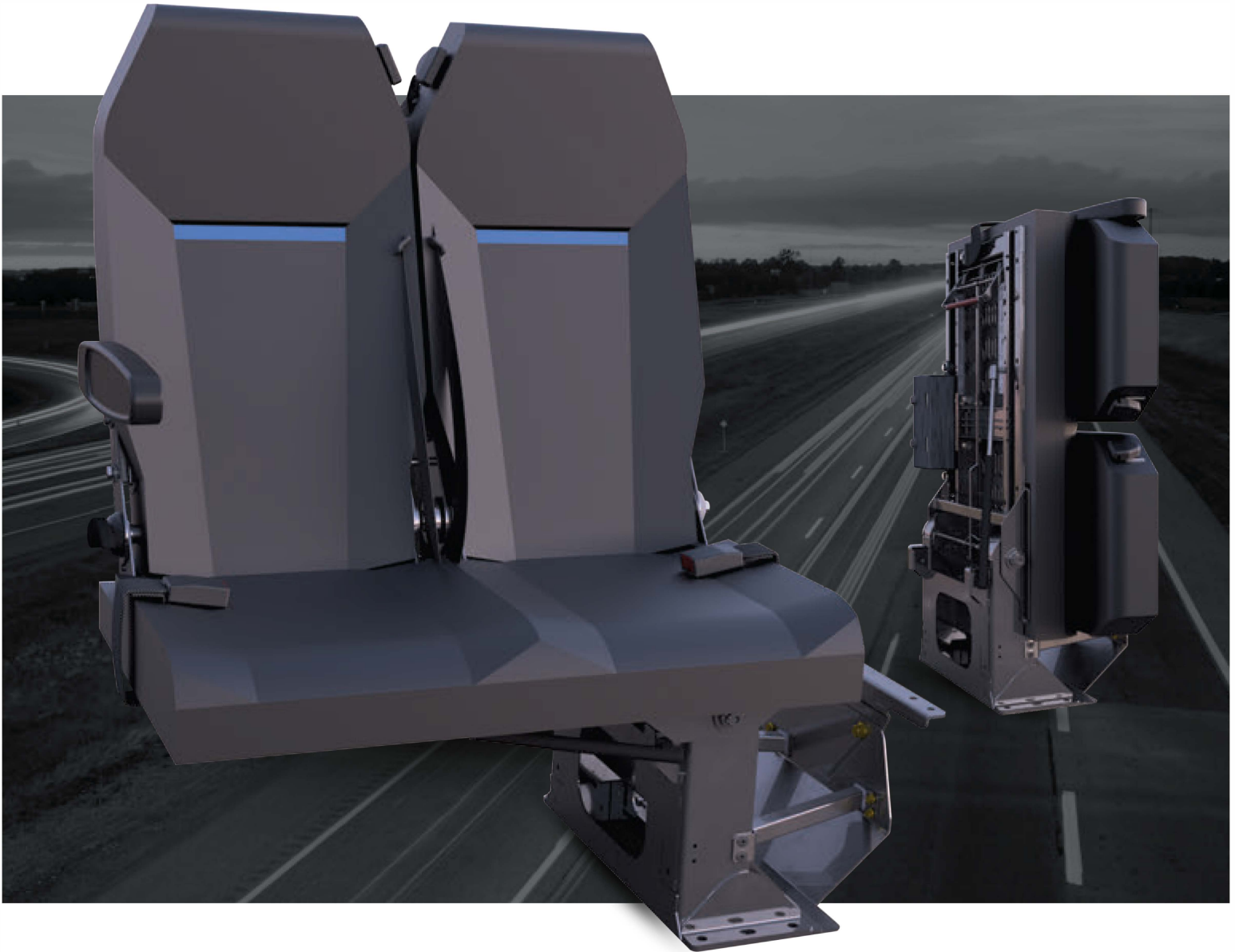


Mid Back Foldaway 3-Point



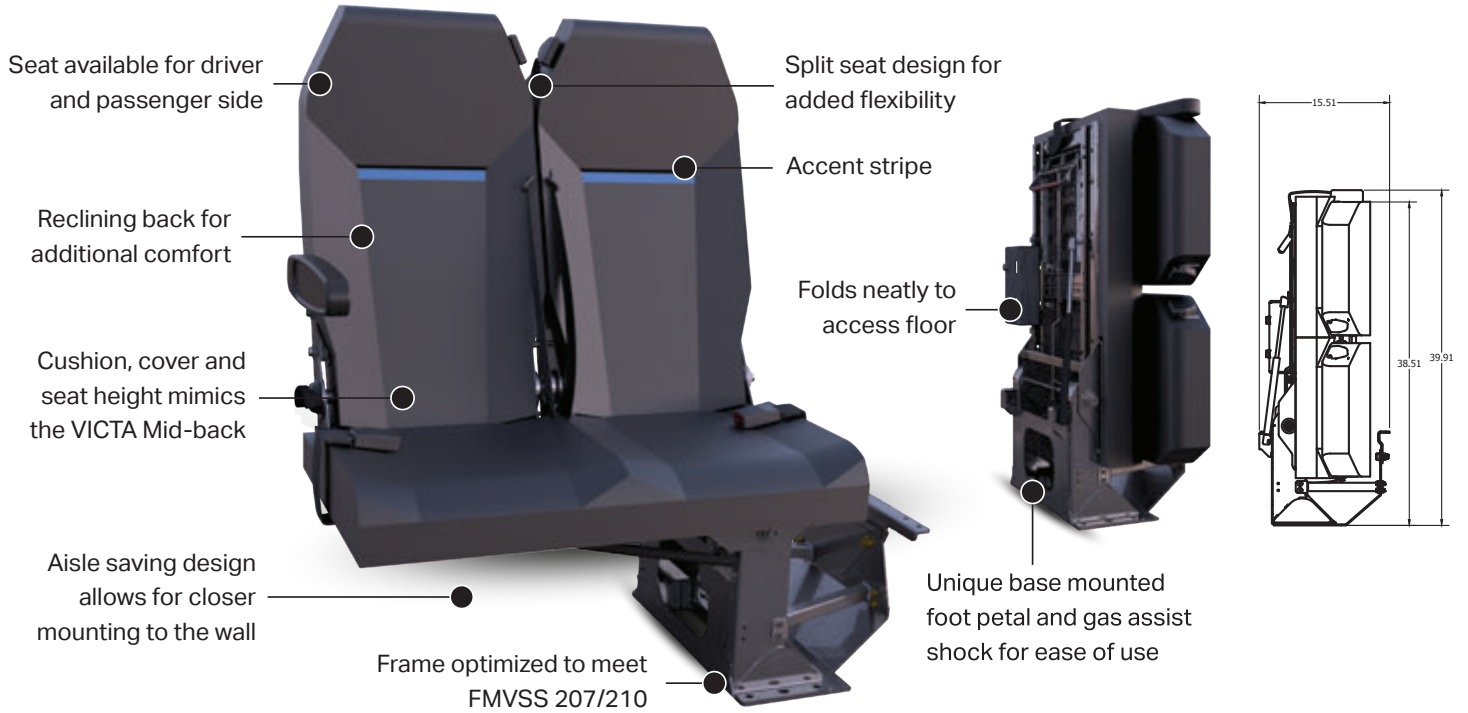
Make way for **VICTA**, a fresh approach to commercial seating designed to address the changing demands of the market in both seat design and service. VICTA transforms how we think about commercial vehicle interiors. More than just a seat, VICTA delivers versatility, innovation, and unparalleled styling to set your vehicle apart.

A perfect solution when the floor space is sometimes needed for other uses. The easily accessible foot pedal and handle make for a quick release and a gas shock supports the seat weight making it easy to fold up and redeploy. The styling and height of the foldaway is the same as our mid-back and it also easily compliments our hi-back options.

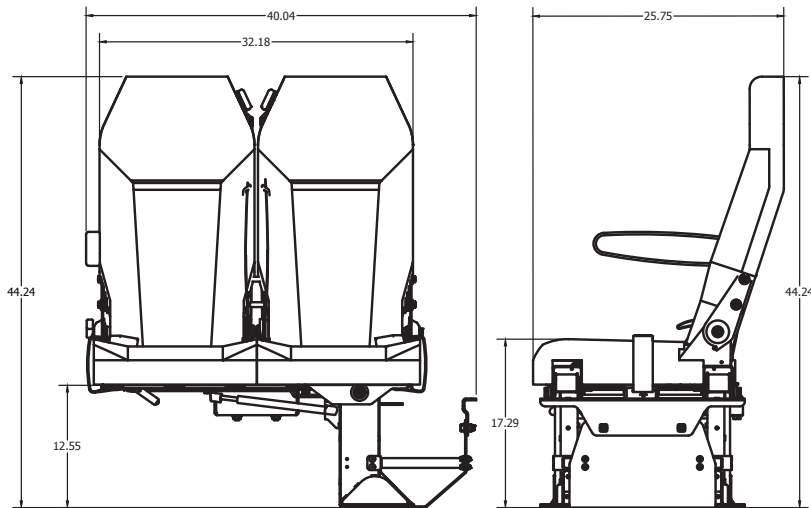


VICTA - *Beyond Seating. Elevating Travel.*

HSM
Transportation



Standard Double Seat Weight - No Options -118.6#



FEATURES

- Double and Single Seat Available
- Reclining Back
- Clean and modern styling
- Same height as mid-back, compliments hi-back
- Contoured for comfort
- Single leg floor mount (additional wall bracket available)
- Meets FMVSS 207/210
- Level 2 cover materials
- Accent stripe color included
- VICTA Accent stitch pattern
- Matching material on seat back

OPTIONS

- No, Lap or 3-Point Seat Belts
- Molded or Upholstered Arm Rests
- ADA Compliant Grab Handle
- LATCH Hooks
- Map Pocket
- Carpeted Seat Back
- Additional cover material



MANUFACTURED IN THE USA

VictaFAW_R4

Contact our Seating Design Experts to configure your next bus or van build.

Learn More at: www.hsmtransportation.com or CALL 800-437-4220

