

Mid Back 3-Point



Make way for **VICTA**, a fresh approach to commercial seating designed to address the changing demands of the market in both seat design and service. **VICTA** transforms how we think about commercial vehicle interiors. More than just a seat, **VICTA** delivers versatility, innovation, and unparalleled styling to set your vehicle apart.

The go-to seat for many shorter distance bus and van applications. The slim back allows for more legroom and can improve spacing in the vehicle. The cover has an optional accent stripe so you can customize the look. The integrated 3-point retractor adds a level of safety, and the long list of options allows you to provide the seat your customers are looking for

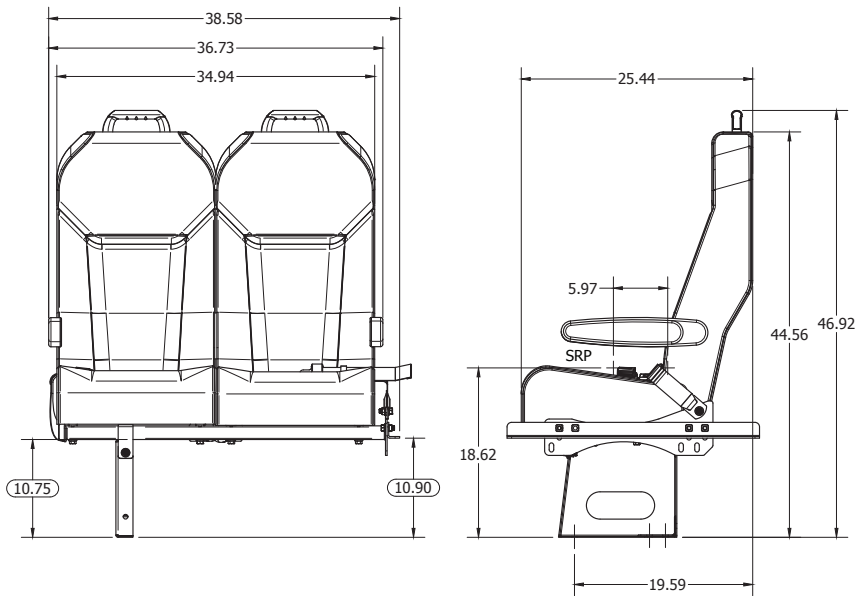


VICTA - *Beyond Seating. Elevating Travel.*

HSM
Transportation



Standard Double Seat Weight - No Options - 65.8#



FEATURES

- Rigid Back
- Clean and modern styling
- Contoured for comfort
- Flexible mounting (wall, floor, & track)
- Meets FMVSS Type 1 & 2
- Matching material on seat back

OPTIONS

- Molded or Upholstered Arm Rest
- ADA Compliant Grab Handle
- No, Lap or 3-Point Seat Belts
- LATCH and Tether
- Map Pocket
- Carpeted Seat Back
- Additional cover material



MANUFACTURED IN THE USA

VictaMB_R4

Contact our Seating Design Experts to configure your next bus or van build.
Learn More at: www.hsmtransportation.com or CALL 800-437-4220

