

Hi Back 3-Point



Make way for **VICTA**, a fresh approach to commercial seating designed to address the changing demands of the market in both seat design and service. VICTA transforms how we think about commercial vehicle interiors. More than just a seat, VICTA delivers versatility, innovation, and unparalleled styling to set your vehicle apart.

The extended headrest of the hi-back adds an extra level of support for the rider. The center panels can be a different color or material to set off the interior look of the vehicle. This seat is ideal for longer or more upscale applications where the options can add a higher level of finish to the vehicle.

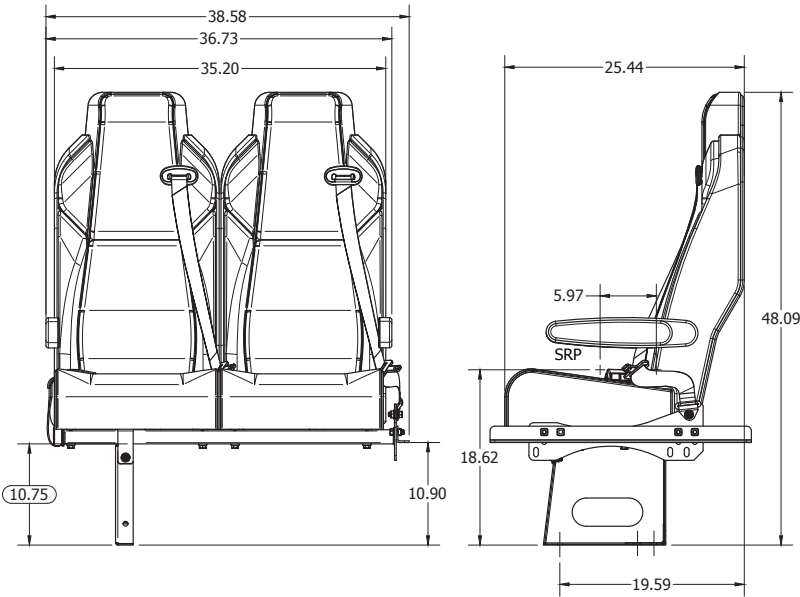


VICTA - *Beyond Seating. Elevating Travel.*

HSM
Transportation



Standard Double Seat Weight - No Options - 75.1#



FEATURES

- Rigid Back
- Clean and modern styling
- Contoured for comfort
- Flexible mounting (wall, floor and track)
- Meets FMVSS Type 1 & 2, 202A
- Level 2 cover materials
- Cover panels - two colors included
- VICTA Crown stitch pattern
- Matching material on seat back

OPTIONS

- Molded or Upholstered Arm Rest
- ADA Compliant Grab Handle
- No, Lap, or 3-Point Seat Belts
- LATCH Hooks
- Map Pocket
- Carpeted Seat Back



MANUFACTURED IN THE USA

VicHB_R4

Contact our Seating Design Experts to configure your next bus or van build.
Learn More at: www.hsmtransportation.com or CALL 800-437-4220

