

COMMERCIAL SEATING

VICTA

Mid Back 3-Point



Make way for **VICTA**, a fresh approach to commercial seating designed to address the changing demands of the market in both seat design and service. VICTA transforms how we think about commercial vehicle interiors. More than just a seat, VICTA delivers versatility, innovation, and unparalleled styling to set your vehicle apart.

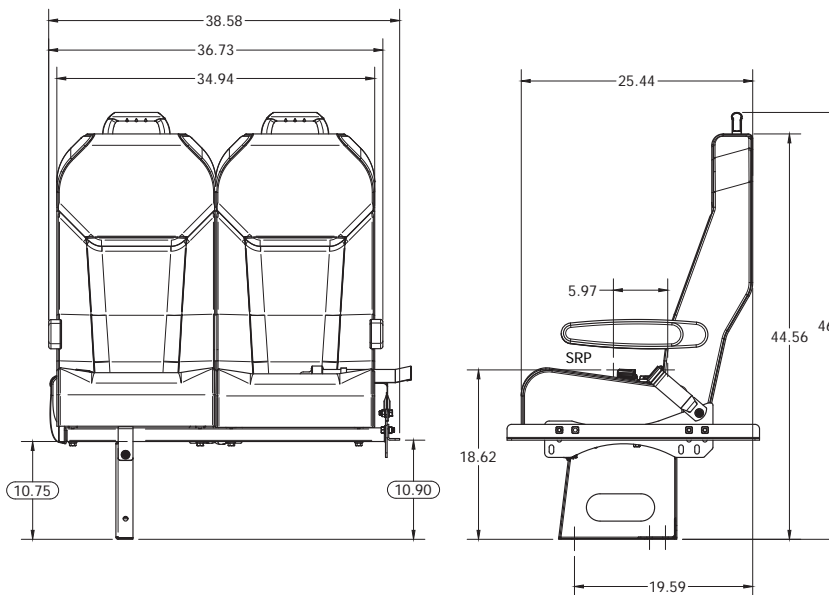
Each seat represents a commitment to comfort, seamlessly blending biomechanical design and safety engineering with contemporary aesthetics to transform travel from standard to standout. This isn't just about moving people; it's about elevating how they move.

VICTA - Beyond Seating. Elevating Travel.

HSM
Transportation



Standard Double Seat Weight - No Options - 65.8#



FEATURES

- Rigid Back
- Clean and modern styling
- Contoured for comfort
- Flexible mounting (wall, floor, & track)
- Meets FMVSS Type 1 & 2
- Matching material on seat back

OPTIONS

- Molded or Upholstered Arm Rest
- ADA Compliant Grab Handle
- No, Lap or 3-Point Seat Belts
- LATCH and Tether
- Map Pocket
- Carpeted Seat Back
- Additional cover material



Contact our Seating Design Experts to configure your next bus or van build.
 Learn More at: www.hsmtransportation.com or CALL 800-437-4220

